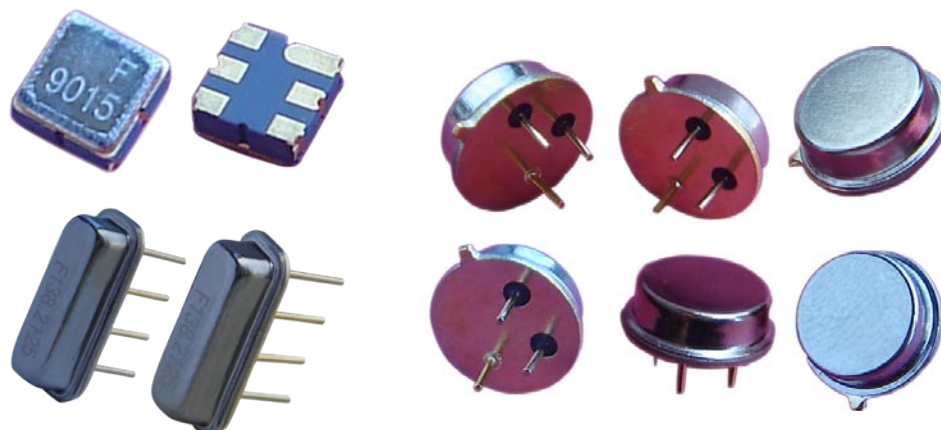


SAW Package Dimensions

SAW Resonators & Filters Package Dimensions



Token Electronics Industry Co., Ltd.

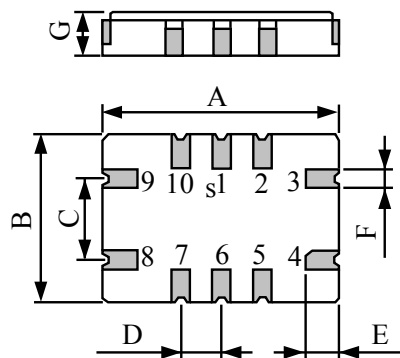
Taiwan: No. 137, Sec. 1, Chung Shin Rd., Wu Ku Hsiang, Taipei Hsien, Taiwan, R.O.C
TEL: 886-2-2981 0109; FAX: 886-2-2988 7487

China: 12F, Zhongxing Industry Bld., Chuangye Rd., Nanshan District, Shenzhen, Guangdong
sTEL: 86-755-2605 5363, 2605 5364; FAX: 86-755-2605 5365

Encapsulation Type

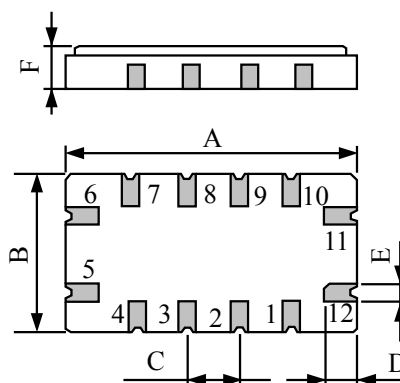
SMD Type		DIP Type	
Package Type	Code	Package Type	Code
SMP-03	S1	TO-39	D1
SMP-53	S2	F-11	D2
SMP-53-S	S3	D-11	D3
QCC8C	S4	SIP5T	D4
QCC4A	S5	TO39-2	D5
QCC8B	S6		
DCC6	S7		
QCC8D	S8		
DCC6C	S9		
ARC11A	S10		
F11SMD	S11		

SMP-03 - Product Package Dimensions (Unit: mm)



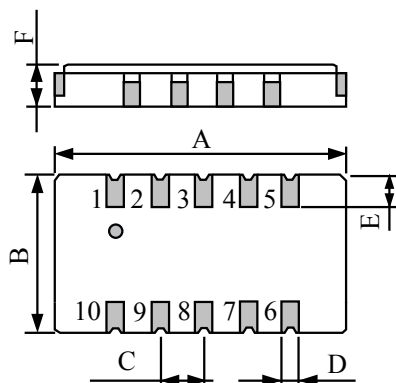
Type	A	B	C	D	E	F	G
SMP-03	7.0	5.0	2.54	1.27	1.0	0.6	1.5

SMP-53 - Product Package Dimensions (Unit: mm)



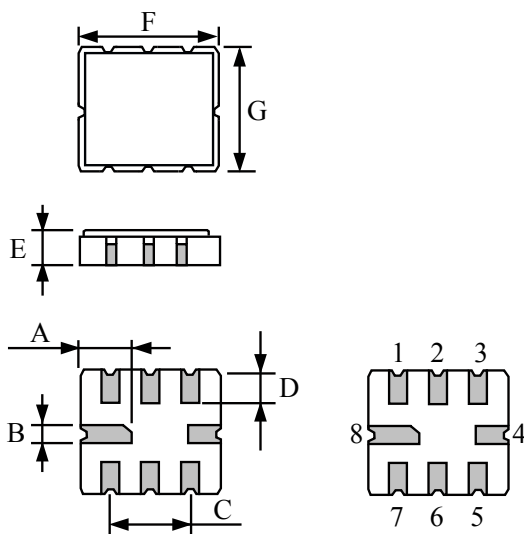
Type	A	B	C	D	E	F
SMP-53	13.3	6.5	2.54	1.5	0.8	1.5

SMP-53-S - Product Package Dimensions (Unit: mm)



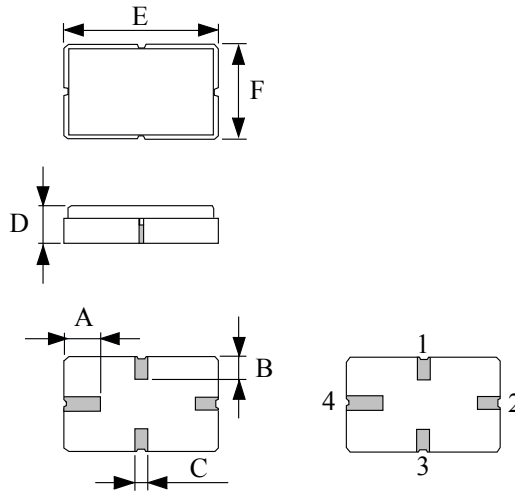
Type	A	B	C	D	E	F
SMP-53-S	13.3	6.5	1.91	1.02	1.8	1.55

QCC8C - Product Package Dimensions (Unit: mm)



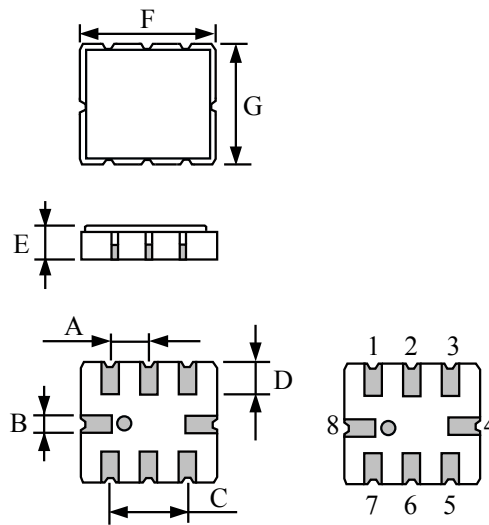
Type	A	B	C	D	E	F	G
QCC8C	2.08	0.6	2.54	1.2	1.4	5.0	5.0

▶ QCC4A - Product Package Dimensions (Unit: mm)



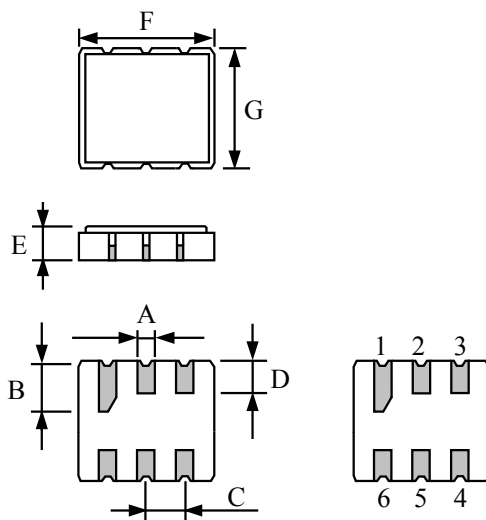
Type	A	B	C	D	E	F
QCC4A	1.2	0.8×3	0.5×4	1.4	5.0	3.5

▶ Package Dimensions (Unit: mm) (QCC8B)



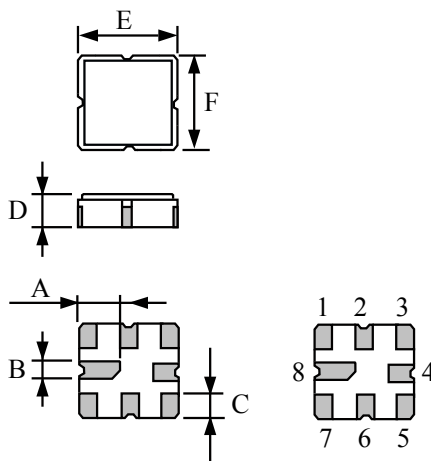
Type	A	B	C	D	E	F	G
QCC8B	1.27	0.6	2.54	1.0	1.5	3.8	3.8

► Package Dimensions (Unit: mm) (DCC6)



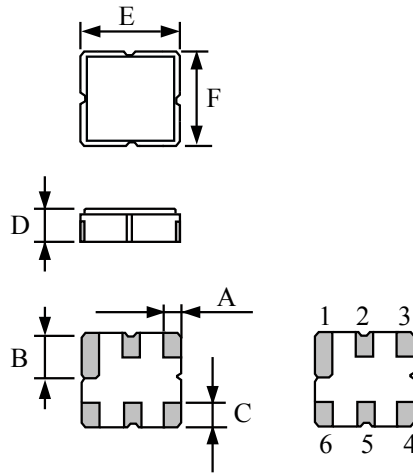
Type	A	B	C	D	E	F	G
DCC6	0.64	1.9	1.27	1.0	1.4	3.8	3.8

► QCC8D - Product Package Dimensions (Unit: mm)



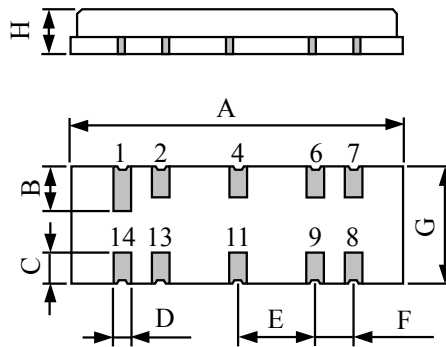
Type	A	B	C	D	E	F
QCC8D	1.2	0.6	0.75	1.1	3.0	3.0

DCC6C - Product Package Dimensions (Unit: mm)



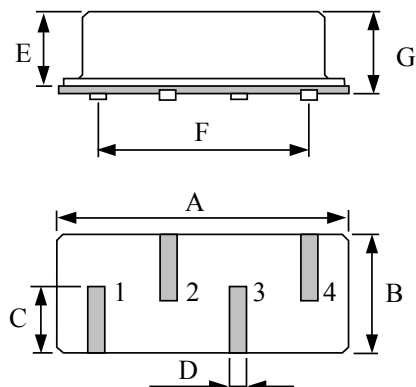
Type	v	B	C	D	E	F
DCC6C	0.6	1.5	0.75	1.3	3.0	3.0

ARC11A - Product Package Dimensions (Unit: mm)



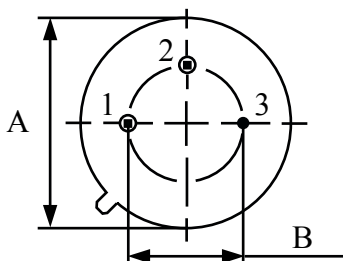
Type	A	B	C	D	E	F	G	H
ARC11A	11.0	1.5	1.1	0.7	2.54	1.27	4.0	1.5

F11SMD - Product Package Dimensions (Unit: mm)



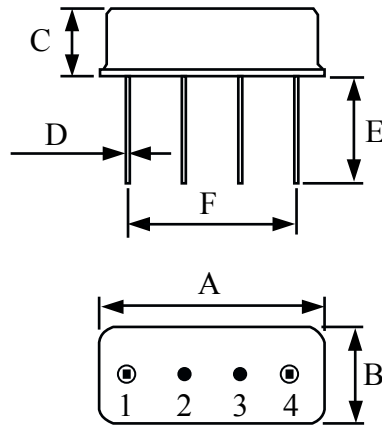
Type	A	B	C	D	E	F	G
F11SMD	11.0	4.5	2.45	0.6	3.4	3×2.54	4.1

TO-39 - Product Package Dimensions (Unit: mm)



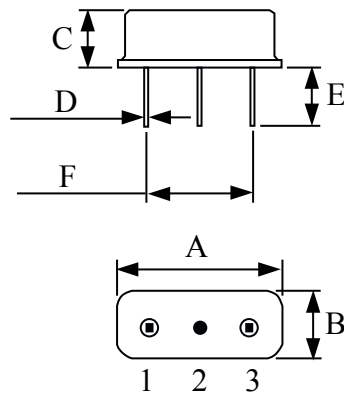
Type	A	B	C	D	E
TO-39	Φ9.15	Φ5.08	3.3	Φ0.45	3.0

F-11 - Product Package Dimensions (Unit: mm)



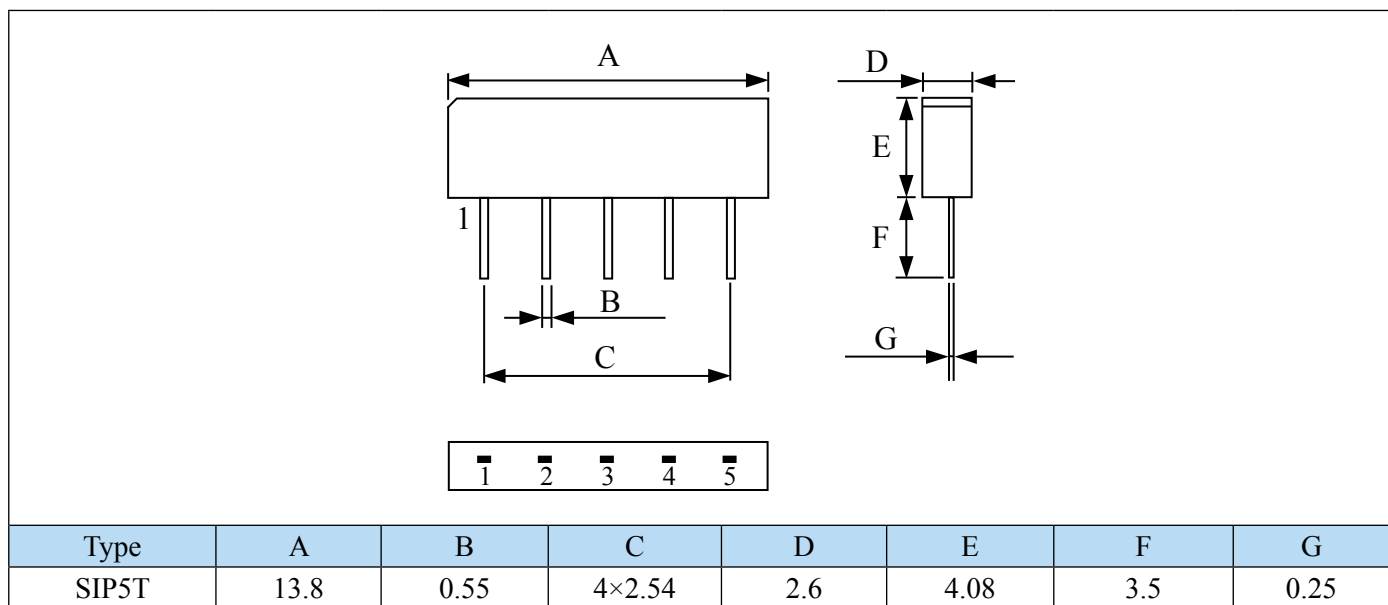
Type	A	B	C	D	E	F
F-11	11.0	SS4.5	3.4	Φ0.5	5.0	3×2.54

D-11 - Product Package Dimensions (Unit: mm)



Type	A	B	C	D	E	F
D-11	8.36	3.45	3.0	Φ0.45	3.0	2×2.54

SIP5T - Product Package Dimensions (Unit: mm)



TO39-2 - Product Package Dimensions (Unit: mm)

