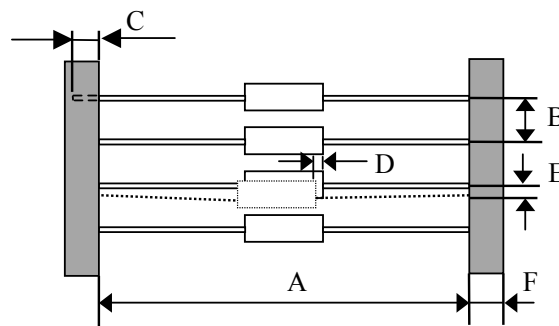


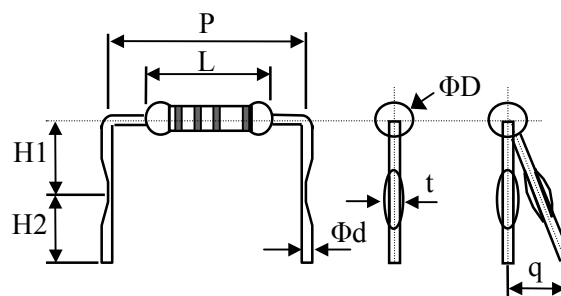
Resistors Forming and Dimensions

▶ Resistor Forming - Tape Type Dimensions



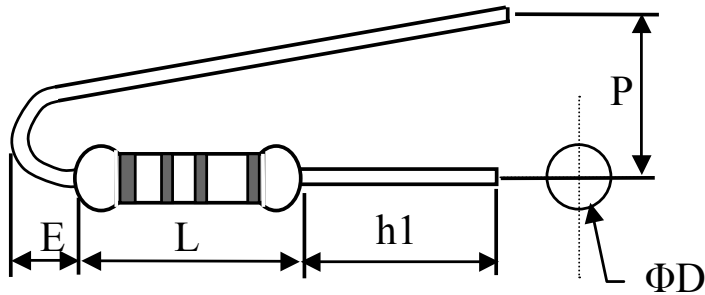
Type	Dimensions					
	A	B	C	D	E	F
T-26	26 ± 1	5 ± 0.5	5 ± 1	Max 0.6	Max 1.2	6 ± 1
T-52	52 ± 1	5 ± 0.5	5 ± 1	Max 0.6	Max 1.2	6 ± 1
T-63	63 ± 1.5	10 ± 0.5	5 ± 1	Max 0.8	Max 1.2	6 ± 1
T-73	73 ± 1.5	10 ± 0.5	5 ± 1	Max 0.8	Max 1.2	6 ± 1

▶ Resistor Forming - MB Form Type Dimensions



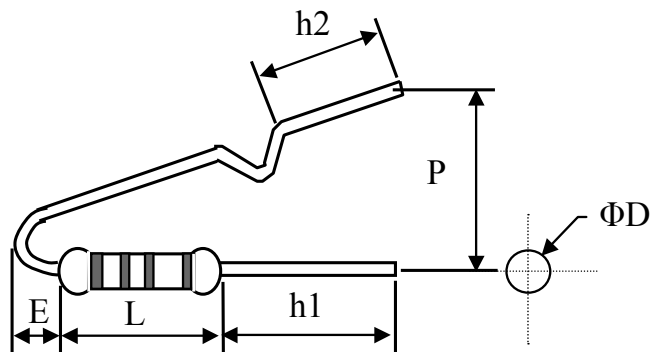
Watts		$\Phi D \pm 0.5$	$L \pm 1$	$P \pm 1$	$H1 \pm 1$	$H2 \pm 0.5$	$d \pm 0.5$	$t \pm 0.2$	q Max
1/2W	1WS	3	9	12.5	10.5	4	0.6	1.2	3
1W	2WS	4	11	15	10.5	4	0.8	1.25	3
2W	3WS	5	15	20	10.5	4	0.8	1.25	3
3W	5WS	6	17	25	10.5	4	0.8	1.25	3
5W	-	8	24	30	14	6.5	0.8	1.25	3

▶ Resistor Forming - F Form Type Dimensions



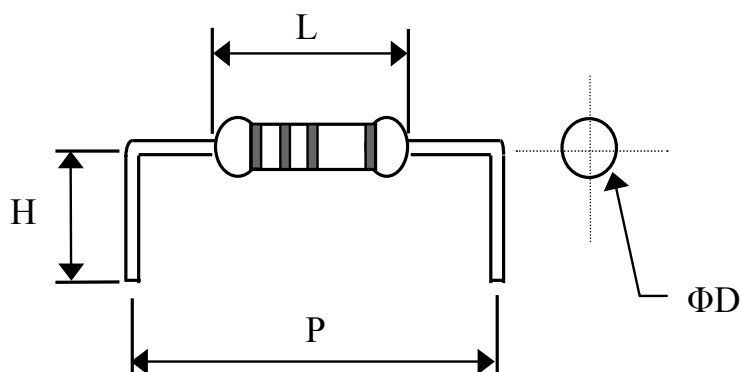
Watts		Dimensions				
		$\Phi D \pm 0.5$	$L \pm 1.0$	$P \pm 2.0$	E Max	$h1 \pm 1.0$
1/2W	1WS	3	9	6	3.5	5
1W	2WS	4	11	6	3.5	5
2W	3WS	5	15	6	3.5	5
3W	5WS	6	17	6	3.5	5

▶ Resistor Forming - FK Form Type Dimensions



Watts		Dimensions					
		$\Phi D \pm 0.5$	$L \pm 1.0$	$P \pm 2.0$	E Max	$h1 \pm 1.0$	h2Max
1 / 2W	1WS	3	9	6	3.5	5	4
1W	2WS	4	11	6	3.5	5	4
2W	3WS	5	15	6	3.5	5	4
3W	5WS	6	17	6	3.5	5	4

▶ Resistor Forming - FK Form Type Dimensions



Watts		Dimensions			
		$\Phi D \pm 0.5$	$L \pm 1.0$	$P \pm 2.0$	$H \pm 1.0$
1 / 8W	1/4WS	1.5	3.2	6	10
1/4W	1/2WS	2.3	6	10	10
1/2W	1WS	3	9	12.5	10
1W	2WS	4	11	15	10
2W	3WS	5	15	20	10
3W	5WS	6	17	25	10
5W		8	24	30	20

Back to 1st Page - Resistors Forming and Dimensions