

Version:
July 31, 2017



(TCAC)
**Air Coils Inductors,
Spring Coils**

Token Electronics Industry Co., Ltd.

Taiwan: No.137, Sec. 1, Zhongxing Rd., Wugu District,
New Taipei City, Taiwan, R.O.C. 24872
Tel: +886 2981 0109 **Fax:** +886 2988 7487

China: 12F, Zhong Xing Industry Bld., Chuang Ye Road,
Nan Shan District, Shen Zhen City,
Guang Dong, China 518054
Tel: +86 755 26055363; **Fax:** +86 755 26055365

[Web: www.token.com.tw](http://www.token.com.tw)

[Email: rfq@token.com.tw](mailto:rfq@token.com.tw)



▶ Product Introduction

Token will do any custom coil windings of Air Coils (Spring Coils) for you.

Features :

- High Q values
- High frequency

Applications :

- Set up box, CATV & Electronic Products.

Token manufactures all types of air coil inductors. Air Core Coils' another name is Spring Coils. Token's Air Core Coil (TCAC) Series has advantages of free from iron losses, non-linearity, single layer coils structure, low self-capacitance, and self-resonant frequency.

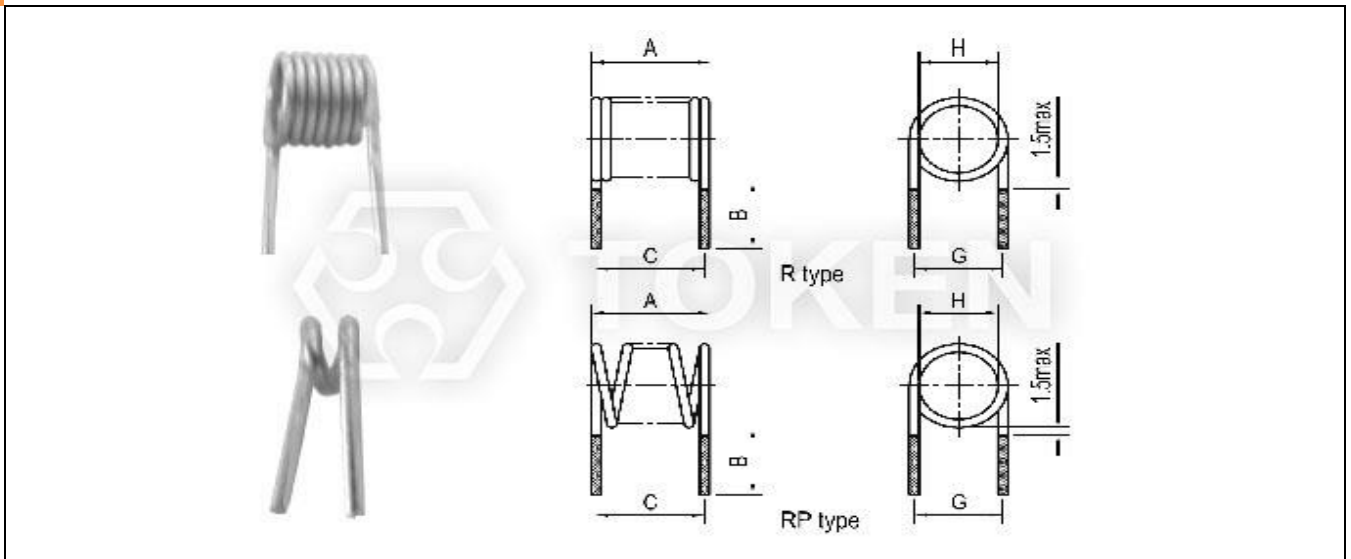
TCAC's inductance is unaffected by the current it carries. This contrasts with the situation with coils using ferromagnetic cores whose inductance tends to reach a peak at moderate field strengths before dropping towards zero as saturation approaches. Sometimes non-linearity in the magnetization curve can be tolerated; for example in switching converters. In circuits such as audio cross over networks in Hi-Fi speaker systems you must avoid distortion; then you need an air core coil. Most radio transmitters rely on air coils to prevent the production of harmonics.

Token's (TCAC) Series is custom coil windings. Please call Token Sales for your requirements to have high quality work at a reasonable tooling cost and low cost volume production, or link to Token official website "[Through Hole Inductors](http://www.token.com.tw)" for more information.

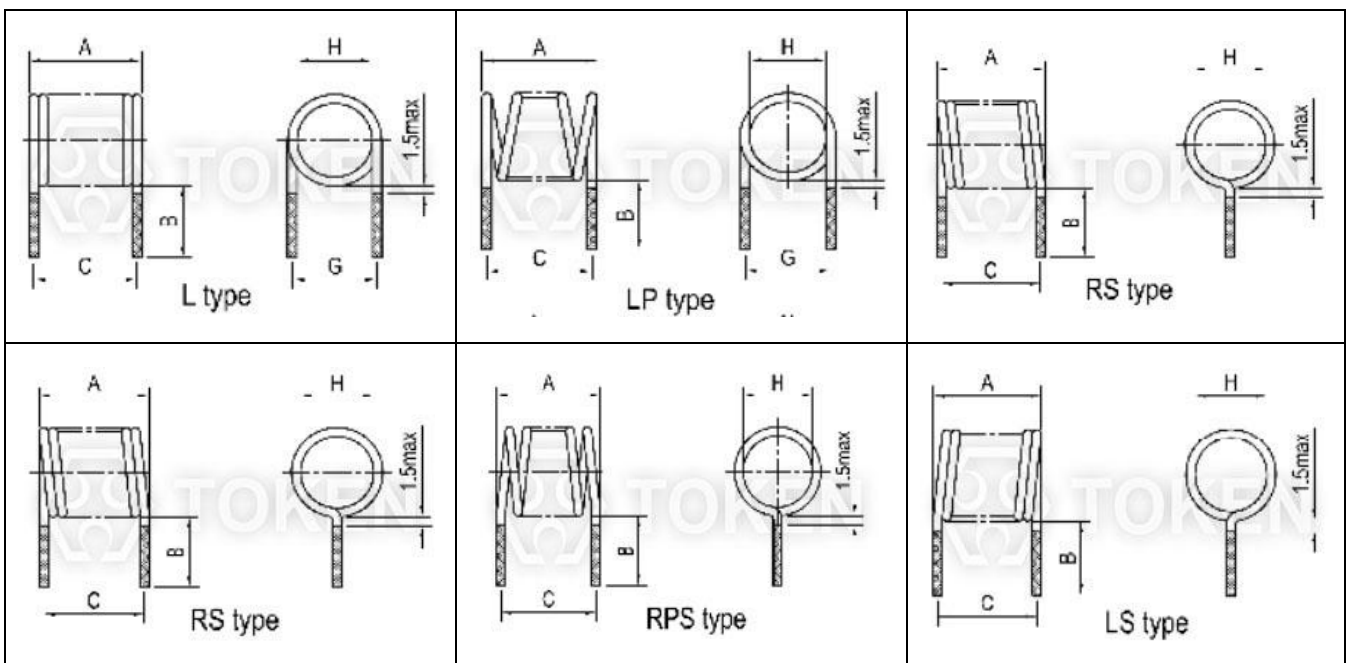
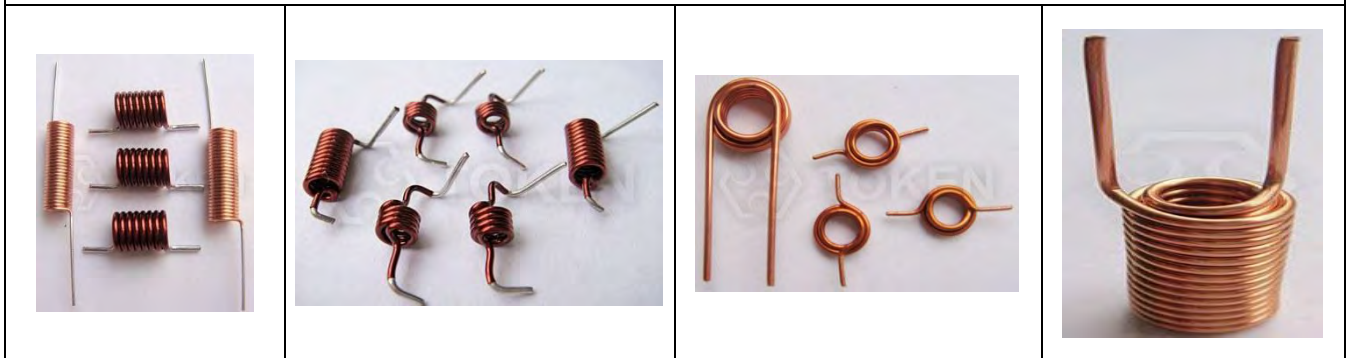


► Configurations

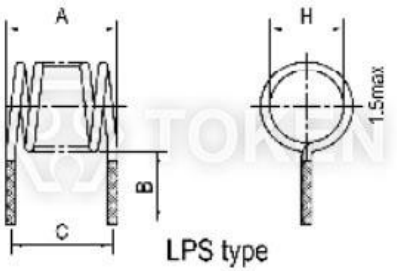
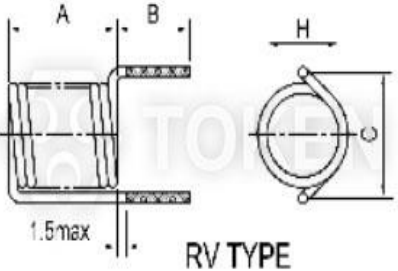
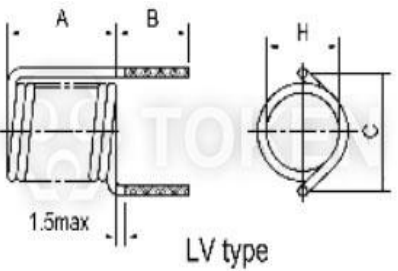
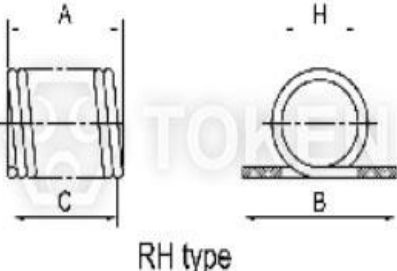
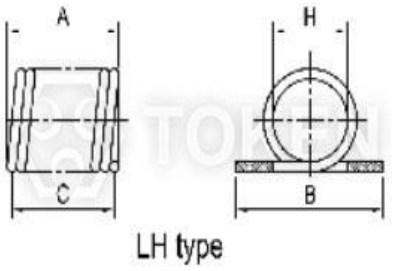
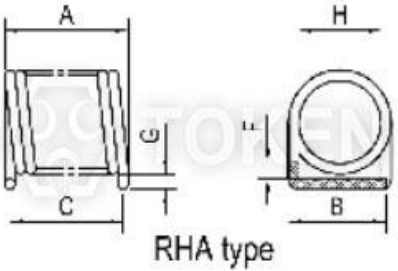

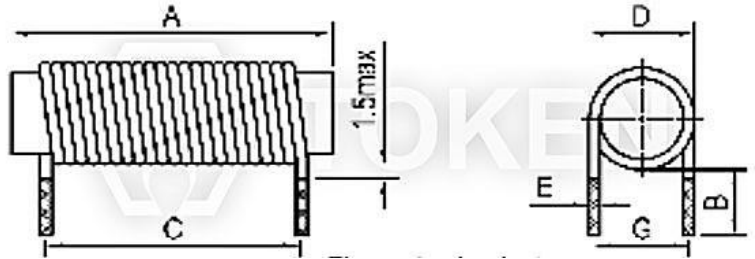

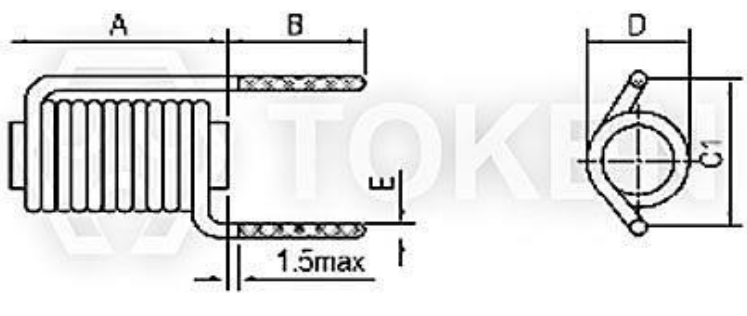

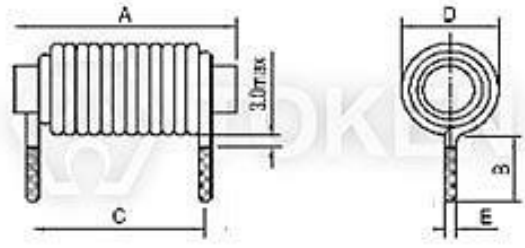
Configurations (TCAC)



In addition, you can also provide a variety of coils according to customer requirements



Configurations (TCAC)

 <p>LPS type</p>	 <p>RV TYPE</p>	 <p>LV type</p>
 <p>RH type</p>	 <p>LH type</p>	 <p>RHA type</p>
		
		
		

● Note: Design as Customer's Requested Specifications.

▶ Order Codes

Order Codes (TCAC)

TCAC	-	R	-	0.8	×	3.1	×	8.5
Part Number		Type of Winding		Wire Diameter(mm)		Inner Diameter(mm)		Number of Turns
TCAC		R						
		L						

▶ General Information

Leading-Edge Technology

Token Electronics brand passive component specializes in standard and custom solutions offering the latest in state-of-the-art low profile high power density inductor components. Token provides cost-effective, comprehensive solutions that meet the evolving needs of technology-driven markets. In working closely with the industry leaders in chipset and core development, we remain at the forefront of innovation and new technology to deliver the optimal mix of packaging, high efficiency and unbeatable reliability. Our designs utilize high frequency, low core loss materials, new and custom core shapes in combination with innovative construction and packaging to provide designers with the highest performance parts available on the market.

Find Inductor Solutions Faster

Find Your Inductor - rfq@token.com.tw

Only timely and accurate information can help manage the changing needs of your customers. The Token Inductor Finder puts you only a click away from all of the inductor information you need.

Find Your Solution - rfq@token.com.tw

Selecting the correct inductor solution will not only save you time, but it will give you a competitive edge. At Token, we are committed to helping you find the most efficient alternative for your power design. Our inductor and power supply design experts can help you make that selection.

Please forward us:

- A brief description of your particular application's requirements.
- Details of an existing solution that you'd like to replace, enhance or find an alternative.
- Inquiries for feasibility to tailor a power transformer or inductor to your specific application.

We can also help you with any additional technical information you might need relating to any of our products.

Ask Us Today

