

Ceramic Filters for Communication

LTB Ceramic Filter is Perfect for Shrinking Mobile Communication Products

▶ Preview

Token Ceramic Filter series conform to the RoHS directive and Lead-free.

Ceramic filters for communication LTB series can be customized designs and tighter tolerances available on request.

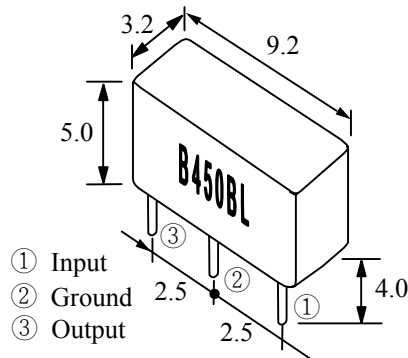
Application of ceramic filters specific designs also available including different piezo band-pass devices and Q specifications adjusted to frequency requirements.

Token ceramic filters for communication LTB series comprises small, high performance.

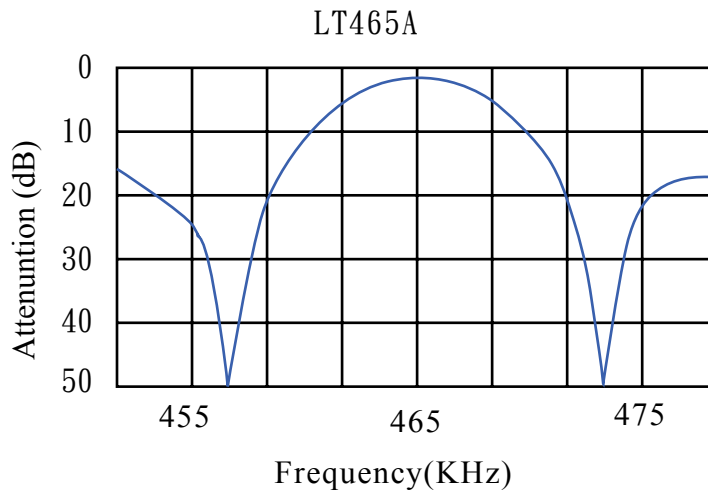
Their innovative construction is perfect for shrinking mobile communication products such as pocket pagers and cellular phones.

Operating temperature range: -20°C to +80°C; Storage temperature range: -40°C to +85°C.

Dimensions

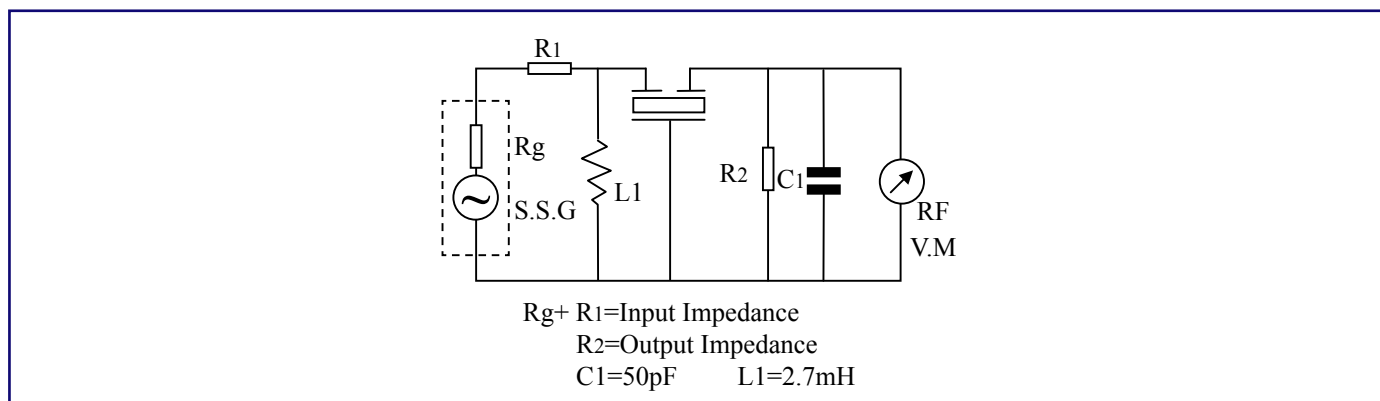


Technical Characteristics



Part Number	Center Frequency (fo) (kHz)	6dB Band Width (kHz) min	Selectivity $\pm 9\text{kHz off}$ (dB) min	Pass Band Ripple (dB) max	Insertion Loss (dB) max	Input/ Output Impedance (Ω)
LTB450AL2	450 \pm 2	4	18	1.0	6.8	1.0/1.5
LTB455AL2	455 \pm 2					
LTB465AL2	465 \pm 2					
LTB450BL2	450 \pm 2	6	16	1.0	5.8	1.5/2.0
LTB455BL2	455 \pm 2					
LTB465BL2	465 \pm 2					

▶ Test Circuit



▶ How to Order

LTB450AL2

❶

P

❷

❶ Part Number

❷ Package

Back to 1st Page - Ceramic Filters for Communication - LTB